

OWNER'S MANUAL REFRIGERATOR

Please read this manual carefully before operating your set and retain it for future reference

REFRIGERATOR MODEL
GL-051/131




MFL69408607




CONTENTS

BASIC SAFETY PRECAUTIONS	3
IMPORTANT WARNING	4
INSTALLATION	5
IDENTIFICATION OF PARTS	6
SUGGESTIONS	7
Lamp Replacement (Optional)	
Useful suggestions	
Disposal of the old appliance	
BEFORE CALLING FOR SERVICE	8


BASIC SAFETY PRECAUTIONS




This guide contains many important safety messages. Always read and obey all safety messages.

 This is the safety alert symbol, it alerts you to safety messages that inform you of hazards that can Kill or hurt you or others or cause damage to the product. All safety messages will be preceded by the Safety alert symbol and the hazard signal word DANGER, WARNING, or CAUTION These words mean:

	DANGER	You will be hurt or seriously injured if you don't follow instructions.
	WARNING	You will be seriously injured if you don't follow instructions
	CAUTION	Indicates an imminently hazardous situation Which if not avoided may result in minor or Moderate injury or product damage only

All safety messages will identify the hazard tell you how to reduce the chance of injury and tell you what Can happen if the instructions are not followed.

 **WARNING**

-  Do not damage the refrigerant circuit.
-  Do not use electrical appliances inside the food storage compartment, unless they are recommended by the manufacturer.
-  The refrigerant and insulation blowing gas used in the appliance requires special disposal procedures. When disposal, please consult with services agent or a similarly qualified person.

Disposal of your old appliance (as per e-waste Rules)



1. When this crossed out wheeled bin symbol is depicted on the product and its operator's manual, it means the product is covered by the e-waste Management and Handling Rules, 2011 and are meant to be recycled, dismantled, refurbished or disposed off.

2. Do's

a. The product is required be handed over only to the authorized recycler for disposal.

b. Keep the product in isolated area, after it becomes non-functional/un-repairable so as to prevent its accidental breakage.

Don'ts

a. The product should not be opened by the suer himself/herself, but only by authorized service personnel.

b. The product is not meant for re-sale to any unauthorized agencies/scrap dealer/kabariwalah.

c. The product is not meant for mixing into household waste stream.

d. Do not keep any replaced spare part(s) from the product in exposed area.

3. Any disposal through unauthorized agencies/person will attract action under Environment (Protection)Act 1986.

4. Hazards of improper handling or accidental breakage :

a. The refrigerant (R134a) used, if overexposed, might cause dizziness and loss of concentration. Liquid contact can cause irritation and frostbite. The refrigerant (R600a), squirting out of the pipes could ignite or cause eye injury.

b. The blowing agent cyclopentane is highly flammable liquid and vapor, harmful to aquatic life. Contact with liquid may cause cold burns/frost bites. Repeated exposure cause skin dryness.

5. "This product is complied with the requirement of Hazardous Substances as specified under Rule 13 (1) & (2) of the E-Waste (Management & Handling) Rules, 2011".

6. To locate a nearest collection centre or call for pick-up (limited area only) for disposal of this appliance, please contact Toll Free No. 1800-315-9999 / 1800-180-9999 for details. All collection centre and pick up facilities are done by third parties with LG electronics India Pvt. Ltd. merely as a facilitator.

For more detailed information, please visit : <http://www.lg.com/in>

IMPORTANT WARNINGS

SUPPLY CORD REPLACEMENT

If the supply cord is damaged, it must be replaced by the manufacturer or its service agent or a similarly qualified person in order to avoid a hazard.

DO NOT USE AN EXTENSION CORD

If possible, connect the refrigerator to its own individual electrical outlet in order to avoid an overload caused by other appliances or household lights that might interrupt the electrical current.

ACCESSIBILITY OF SUPPLY PLUG

The refrigerator-freezer should be so positioned that the supply plug is accessible for quick disconnection when accident happens

“This Appliance is not intended for use by persons (including children) with reduced physical, sensory or mental capabilities, or lack of experience and knowledge, unless they have been given supervision or instruction concerning use of the appliance by a person responsible for their safety.

Children should be supervised to ensure that they do not play with the appliance.”

VERY DANGEROUS ATTRACTION

An empty refrigerator can be a dangerous attraction to children. Remove either gaskets, latches, lids or the entire door from your unused appliance, or take some other action to make it harmless.

This appliance must be grounded (earthed).

DON'T WAIT! DO IT NOW!

Do not store inflammable materials, explosives or chemicals in the refrigerator.

This appliance is intended to be used in household and similar applications such as

- Staff kitchen areas in shops, offices and other working environments
- Farm houses and by clients in hotels, motels and other residential type environments
- Bed and breakfast type environments
- Similar non-retail applications

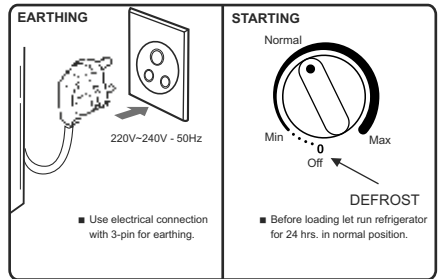
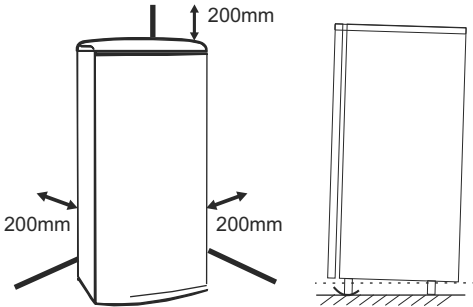
INSTALLATION

1. INSTRUCTION

Unpack the refrigerator and locate at desired location.
Refrigerator should be located properly in ventilated area.

2. LEVELLING

Leveling of refrigerator should be done with front leg. Refrigerator should be levelled with front to back inclination for base.



Operation

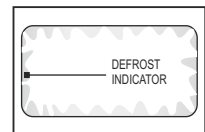
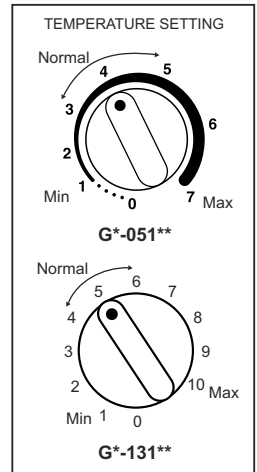
Refrigerator Temperature Control

Specially designed knob gives your facility to control temperature inside Refrigerator.

Defrosting

- It is necessary to regularly defrost your refrigerator in order to ensure efficient operation
- As soon as the thickness of ice/frost on the surface of the evaporator reaches a quarter of an inch (6mm), start the defrosting operation.
- To defrost, turn the control to "0"
- Before you start the defrosting operation, remove the drip tray, empty water, dry and put it back to its normal position.
- Turn the control dial to desired position

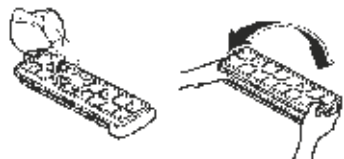
CAUTION : Never use any sharp or metallic instruments to remove ice, frost or ice tray from evaporator



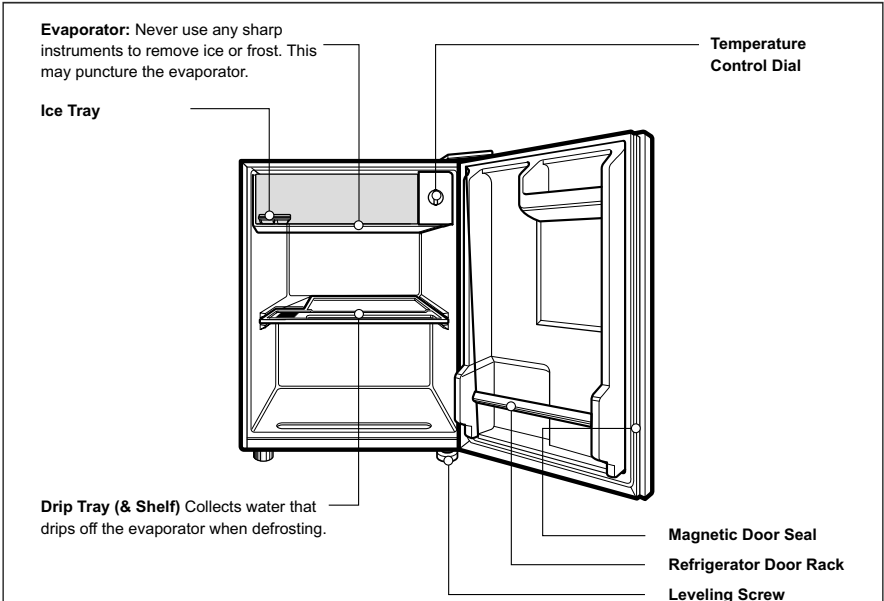
Note : Push the Defrost Knob after every 2 days / Ice Level reaches defrost indicator.

ICE MAKING

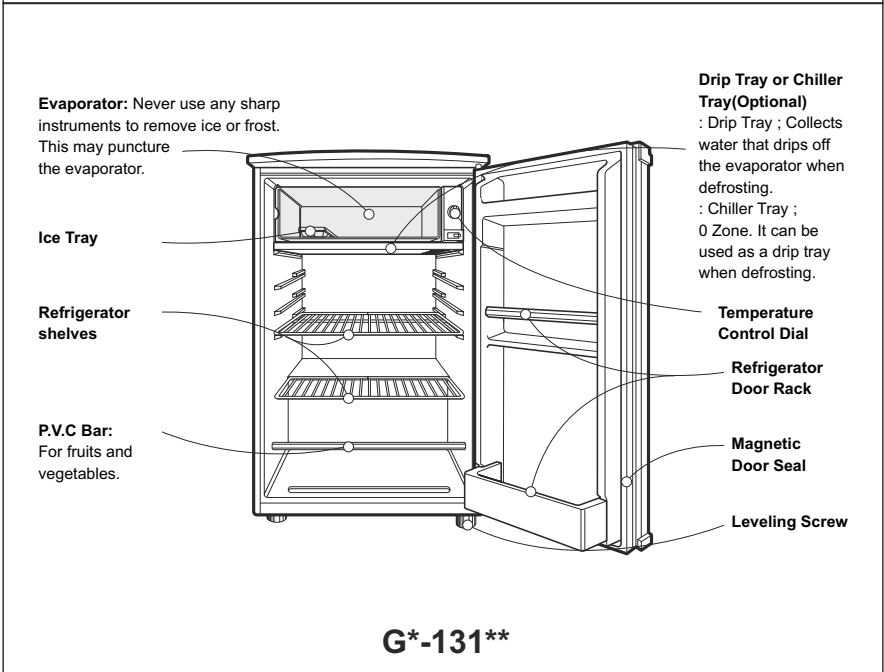
- Fill ice trays with water, place in Evaporator Plate.
- To remove ice cube, gently Twist Ice Tray.



IDENTIFICATION OF PARTS



G*-051**



G*-131**

★ Due to continuous product improvement, model specification subjected to change.

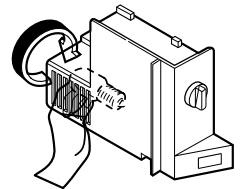
SUGGESTIONS

Cover or wrap all foods that you put into your refrigerator with polythene or aluminium foil, preventing the mixing of flavours and to keep the food from drying. Do not store liquids in bottles in the freezer compartment since there is danger of their bursting.

- Don't keep hot milk or hot food in your refrigerator. This will result in an increased temperature of other food in the fridge and may lead to deterioration.
- Don't open the refrigerator door too often-hot air will enter and increase the temperature.
- Don't keep the door open for more than 30 seconds at a time-cold air will rush out of the fridge.
- Don't cover the shelves with paper or plastic sheets. This prevents air circulation inside the cabinet.
- Don't use a knife or sharp instrument to remove the ice trays from the freezer or to remove the frost mechanically as it may damage the freezer coil.
- Fridge will automatically switched off when the proper temperature is attained. Don't switch off the fridge at night, this will create higher temperature inside the cabinet thus deteriorating stored foods.
- Feel free to call your LG Dealer or LG Representative in case your refrigerator has suffered and damage in transit. The Dealer or the Company Representative will assess the extent of damage and give you an estimate for repairs.
- Don't switch on the refrigerator, unless a minimum period of four minutes lapses after it was switched off, either due to power failure or otherwise.
- Don't allow food stuffs smeared with salt to come in direct contact with the evaporator plate. It is a good practice to always keep the food in a container before placing on evaporator plate.
- **Do not use or store inflammable materials like ether, benzene, alcohol, medicine, LP gas, spray or cosmetics near or in the refrigerator. It may cause explosion or fire.**
- Do Not Modify or Extend the power cord length. It will cause electric Shock or fire.
- Do not keep glass bottle on evaporator plate

LAMP REPLACEMENT (Optional)

1. Unplug the power cord from the outlet.
2. Remove refrigerator shelves.
3. Remove the lamp by turning it counterclockwise as shown in the figure at right.
4. Assemble in reverse order of disassembly. Replacement bulb must be the same specification as original.



USEFUL SUGGESTIONS

EXTERIOR -Use a lukewarm solution of mild soap or detergent to clean the refrigerator. Wipe with a clean, damp cloth and then dry.

INTERIOR - Regular cleaning of the interior and interior parts is recommended. If you have to wash all compartments with a mild baking soda solution, then rinse and dry the compartment.

VACATION TIME - During average length vacations, you will probably find it best to leave the refrigerator in operation. Place freezable items in freezer for longer life. When you plan to be away for an extended period remove all food, disconnect the power cord, clean the interior thoroughly and leave each door OPEN to prevent odour formation.

POWER FAILURE - Most power failures are corrected in an hour or two and will not affect your refrigerator temperatures. However, you should minimize the number of door openings while the power is off. During power failures of longer duration, place a block of dry ice on top of your frozen packages.

IF YOU MOVE - Remove or securely fasten down all loose items inside the refrigerator. To avoid damaging the leveling screws, turn them all the way into the base.

SUGGESTIONS

Disposal of the old appliance

This appliance contains fluid (refrigerant, lubricant) and is made of parts and materials which are reusable and/or recyclable.

All the important materials should be sent to the collection center of waste material and can be reused after rework (recycling). For take back, please contact with the local agency.

“(For CENELEC countries) This appliance can be used by children aged from 8 years and above and persons with reduced physical, sensory or mental capabilities or lack of experience and knowledge if they have been given supervision or instruction concerning use of the appliance in a safe way and understand the hazards involved. Children shall not play with the appliance. Cleaning and user maintenance shall not be made by children without supervision.”

* CENELEC countries: AT, BE, BG, HR, CY, CZ, DK, EE, FI, MK, FR, DE, GR, HU, IS, IE, IT, LV, LT, LU, MT, NL, NO, PL, PT, RO, SK, SI, ES, SE, CH, TR, GB

BEFORE CALLING FOR SERVICE

Check for yourself

Type of Complaint	Probable Cause	Remedy
1. Refrigerator does not work.	–Thermostat switch in 'OFF' position. – Power Supply Off.	Check that the thermostat knob is on 'Normal' position and not in off position. Check that the refrigerator main supply plug is connected to the wall socket and that the supply is on. Check that the fuse is intact in the supply line.
2. Refrigerator attempts to start, but does not operate.	– Low Voltage.	Install a line-correcting transformer in the mains, or a Voltage Stabilizer.
3. Refrigerator contents not cooling.	– Defrosting over due – Restriction of cold air circulation. – Improper thermostat control selection. – Entry of hot air. – Storing hot foods.	Defrost the refrigerator. Provide space in between the dishes. If the shelves are covered with cloth or polythene, remove it. If the refrigerator is required to give a low temperature turn the thermostat knob towards colder (Max) position. Opening and closing of the door too often will result in hot air from outside rushing into the refrigerator causing the temperature to go up. Reduce the frequency of opening of the door Avoid storing hot foods in the refrigerator, cool them to room temperature before placing them inside the refrigerator.
4. Formation of water drops on exterior of refrigerator.	– High humidity during monsoon season.	During the monsoon, when the humidity in the atmosphere reaches around 90% water droplets may form around the sides of the refrigerator cabinet, especially the top portion. This moisture should be wiped off periodically. Contact our serviceman to check the door seal for proper and uniform contact with the cabinet.
5. Formation of droplets on the underside of the Chiller tray.	– Hot and humid climate.	In hot and humid weather the moist air rushes inside whenever the refrigerator door is opened. This results in excess frosting on the Evaporator, and condensation on the Chiller tray bottom. Avoid too frequent door openings.
6. Smell and odour.	– Improper covering and wrapping of food.	Wrap and cover foodstuffs properly. Place caps on bottles and other liquid stores. If the smell persists, defrost the refrigerator, remove all foodstuffs, clean the refrigerator thoroughly and wipe it dry before restarting.
7. Difficulty in formation of ice and ice-cream.	– Incorrect thermostat setting. – Defrosting overdue.	Set the thermostat on 'Colder' (Max) position. Excessive frost on the freezer compartment should be defrosted. Ensure that the container of ice-cream or ice is in proper contact with the surface of the freezer. Do not use bowls.

WARRANTY

The LG Refrigerator comes with 1 + 4 year warranty, from the date of purchase, that comprises of a 1 year warranty on all Parts (except Light Bulb, LED, Consumables, Loose Plastic Parts, Glass) in the first year and thereafter a 4 year Additional warranty on the compressor, from the date of purchase of the product, provided always that the warranty card bears the rubber stamp, date and signature of our Authorised Dealer.

4 YEAR ADDITIONAL WARRANTY ON COMPRESSOR

The 4 year warranty on Compressor will continue even after the expiry of 1 year period from the date of purchase. This warranty cover Compressor only. Gas/Gas Charging will be charged to the customer. Gas charging is included only when compressor is defective & inoperative. During the additional warranty period, it does not cover any part such as condenser, freezer, capillary, suction line, overload protector, relay, thermostat etc. Standard visiting charges will be applicable within the municipal limit of town where LG Electronics India Pvt. Ltd. (LGEIL) has its Authorized Service Centre, Service outside municipal limit will attract to and fro traveling, other incidental expenses in addition to standard visiting charges, as prevailing from time to time. During the warranty period, only the parts replaced or repaired shall be free of costs, but service charges shall always be payable by the customer.

TERMS & CONDITIONS

1. The warranty is confined to the first purchaser of the Refrigerator only & is non-transferable.
2. Repairs & replacements will be carried out by the dealer from whom the product has been purchased, or through the Authorized Service Centers of LGEIL. In case the customer shifts the place of residence during warranty period, it is advised to contact Authorized Service Centre directly or call our help line.
3. Repairs under warranty shall be carried out by an authorized service personnel only. The details of centralized help lines are attached.
4. For units installed beyond municipal limits of the jurisdiction of company's Authorized Service Center, it is responsibility of the purchaser to contact the nearest authorized service center and bring the unit to the authorized service center at its own cost and risk. All expenses incurred in collecting the units or parts thereof from the company's authorized service center, as well as expenses incurred with deputizing of service personnel/technicians towards conveyance and other incidentals etc. will be borne by the customer. Local Charges for transportation and handling charges may vary from location to location. Customers are advised to verify before. In case the customer desires to bring the unit on its own to the Authorized Service Centre, the same shall be at its own risks & consequences.
5. The concerned authorized service center will advise the customer whether to effect the repairs at site or at the authorized service center.
6. Call registered with the centralized helpline/Authorized service center, wherein only cleaning of the unit/parts in the unit due to dust accumulation on portions of the unit, general explanations/returning, are not to be considered as defects.
7. In case of repairs or replacement of any part/s of the unit, this warranty will thereafter continue and remain in force only for the unexpired period of the warranty. Replacement of parts would be purely at the discretion of LGEIL alone. In case the replacement of the entire unit is being made, (subject to the sole discretion of LGEIL), the same model shall be replaced and in the event such model has been discontinued, it shall be replaced with the model of price equivalent at the time of purchase.
8. In case of any damage to the product / customer abuse/ repairs by un-authorized personnels/ misuse detected/ by the Authorized Service Center personnel, the warranty conditions are not applicable and repairs will be done subject to availability of parts and on a chargeable basis only.
9. This warranty shall not cover any consequential or resulting liability, damage or loss to property or life arising directly or indirectly out of any defect in the Refrigerator. The company's obligation under this warranty shall be limited to repair or providing replacement of defective parts only under the warranty period.
10. The company or its Authorized Service Center reserves the right to retain any part/s or component replaced at its discretion, in the event of a defect being noticed in the equipment during warranty period.
11. While the company will make every effort to carry out repairs at the earliest, it however is made expressly clear that the company is under no obligation to do so in a specified period of time.
12. Warranty does not cover accessories external to the equipment supplied by the dealer.
13. If any coloured internal or external components are replaced, there will be commitment to ensure that the shades match with the original or other components. The replaced shades, patterns, tints may vary from the customer's unit due to continuous usage of the unit. Any matching components changed at customer's request will be on chargeable basis except the component which actually needed.

Warranty is not applicable in any of the following cases :

1. The warranty card is not completed properly at the time of purchase. 2. The completed warranty card is not presented to authorized service personnel at the time of service of the product. 3. The product is not operated according to instructions given in the Operating Instruction Booklet. 4. Defects are caused by improper or reckless use, which shall be determined by the company personnel. 5. Any repair work is carried out by persons other than authorized service personnel. 6. Defects are caused by due to causes beyond control like lightning, abnormal voltage, acts of God or while in transit to service center or purchaser's residence. 7. The warranty is not valid in case, the serial number is deleted, defected or altered. 8. Damage to the product or any part/s due to transportation or shifting is not covered by warranty. 9. a) This warranty will automatically terminate on the expiry of the warranty period of 12 months, even if the Refrigerator may not be in use for any time during the warranty period for any reason. b) The warranty on compressor will automatically terminate on expiry of 9 years (after 1 year warranty period) even if the Refrigerator may not be in use for any time during the said period for any reason. 10. Only courts in state of Delhi and places where LGEIL has its branch office shall have the jurisdiction for settling any claims, disputes arising under the warranty.

CUSTOMER'S COPY

MODEL No. :

DATE OF PURCHASE :

UNIT SERIAL No. :

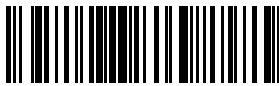
CUSTOMER'S NAME & ADDRESS _____ _____
TEL. _____

DEALER'S NAME & ADDRESS _____ _____
TEL. _____

Customer's Signature

Dealer's Signature

This card is valid only if it is filled in and stamped by our authorised dealer on the date of purchase.



MFL69408607