



User manual

PHILIPS




English

Congratulations on your purchase, and welcome to Philips! To fully benefit from the support that Philips offers, register your product at www.philips.com/welcome.

1 Important

Read this user manual carefully before you use the appliance and keep it for future reference.

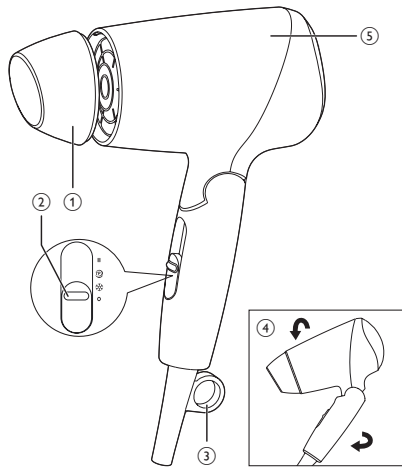
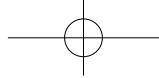
- **WARNING:** Do not use this appliance near water.
- When the appliance is used in a bathroom, unplug it after use since the proximity of water presents a risk, even when the appliance is switched off.
- **WARNING:** Do not use this appliance near bathtubs, showers, basins or other vessels containing water. 
- Always unplug the appliance after use.
- If the appliance overheats, it switches off automatically. Unplug the appliance and let it cool down for a few minutes. Before you switch the appliance on again, check the grilles to make sure they are not blocked by fluff, hair, etc.
- If the mains cord is damaged, you must have it replaced by Philips, a service centre authorised by Philips or similarly qualified persons in order to avoid a hazard.
- This appliance can be used by children aged from 8 years and above and persons with reduced physical, sensory or mental capabilities or lack of experience and knowledge if they have been given supervision or instruction concerning use of the appliance in a safe way and understand the hazards involved. Children shall not play with the

appliance. Cleaning and user maintenance shall not be made by children without supervision.

- For additional protection, we advise you to install a residual current device (RCD) in the electrical circuit that supplies the bathroom. This RCD must have a rated residual operating current not higher than 30mA. Ask your installer for advice.
- Do not insert metal objects into the air grilles to avoid electric shock.
- Never block the air grilles.
- Before you connect the appliance, ensure that the voltage indicated on the appliance corresponds to the local power voltage.
- Do not use the appliance for any other purpose than described in this manual.
- Do not use the appliance on artificial hair.
- When the appliance is connected to the power, never leave it unattended.
- Never use any accessories or parts from other manufacturers or that Philips does not specifically recommend. If you use such accessories or parts, your guarantee becomes invalid.
- Do not wind the mains cord round the appliance.
- Wait until the appliance has cooled down before you store it.

Electromagnetic fields (EMF)

This Philips appliance complies with all applicable standards and regulations regarding exposure to electromagnetic fields.



Environment

Do not throw away the appliance with the normal household waste at the end of its life, but hand it in at an official collection point for recycling. By doing this, you help to preserve the environment.



2 Dry your hair

- Connect the plug to a power supply socket.
 - For precise drying, attach the concentrator (1) onto the hairdryer (5).
 - To disconnect the concentrator, pull it off the hairdryer.
- Adjust the switch (2) to your preference.

Setting	Temperature and speed	Good for:
II	Hot and strong airflow	Fast drying
Ⓜ	Warm and gentle airflow	Gentle drying
❄️	Cool airflow	Fixing your style

- Switch to ○ to switch off the appliance.

After use:

- Switch off the appliance and unplug it.
- Place it on a heat-resistant surface until it cools down.
- Clean the appliance by damp cloth.
- Fold the appliance (4).
- Keep it in a safe and dry place, free of dust. You can also hang it with the hanging loop (3).

3 Guarantee and service

If you need information e.g. about replacement of an attachment or if you have a problem, please visit the Philips website at www.philips.com or contact the Philips Customer Care Centre in your country (you find its phone number in the worldwide guarantee leaflet). If there is no Consumer Care Centre in your country, go to your local Philips dealer.



Always there to help you

Visit us at www.india.philips.com
Contact at: 1860 180 1111, 1800 102 2929
Or customercare.india@philips.com

PHILIPS

Warranty card

Serial No: _____

Dealer's Name: _____

Dealer's Stamp: _____

Customer's Name and Address: _____

Model No. _____

Bill No. _____ Amount: _____

_____ Date of Purchase

_____ Dealer Signature

Warranty and Service

For any information or problem, contact your local Philips dealer or authorized service center. For a list of authorized Philips service centers visit: www.philips.com or contact our consumer care at 1800 102 2929 (Toll free) or 1860 180 1111 (standard call rates apply)

All consumables and parts susceptible to normal wear and tear are not covered under warranty.

Warranty Card

This apparatus is covered under warranty against any defect due to defective material or workmanship for TWO YEARS from the date of purchase. Should a defect develop during the period of warranty, PHILIPS INDIA LTD. undertakes to repair the apparatus FREE OF CHARGE at any of the Philips authorized Service Centres.

The warranty is not valid in case:

- Apparatus is not used according to user manual.
- Defects caused by improper or reckless use.
- Repairs done by persons other than Philips Authorized service centre.
- Modifications of any nature made in the apparatus.
- Tampered serial number.
- Incomplete warranty card after purchase.
- Product if used for commercial purpose (i.e. other than domestic use).
- Usage of parts not recommended by Philips or those made by other manufacturers.

Philips India Limited

Registered Office: 7, Justice Chandra Madhab Road, Kolkata 700 020

For Any Sales & Service Enquiry:

Visit us at www.philips.com/welcome OR Call us on Tel No. 1800 102 2929 (Toll-free) or 1860 180 1111*

*Standard Call rates apply for the calls made to above telephone line

Email: customercare.india@philips.com